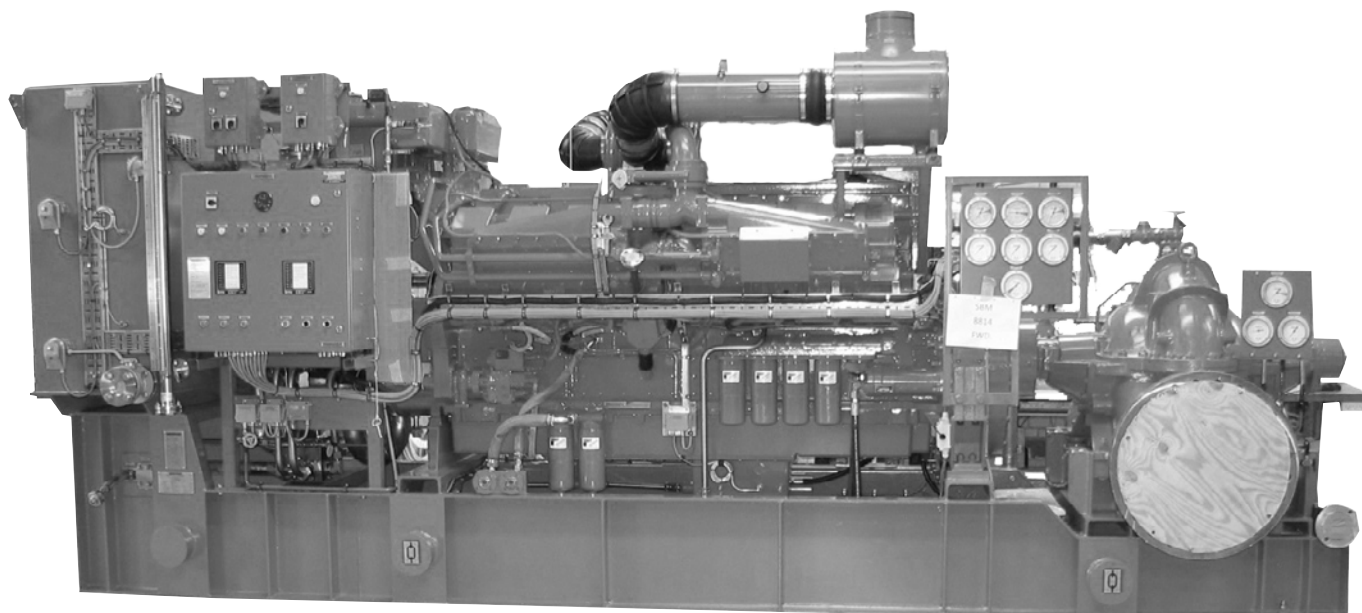


Productsheet: Diesel Fire Pump

Capacity: 1300 m³/h to 2200 m³/h at 120 mWC



At IRON Pump, we do not have a product-line for our Ellehammer Fire Water Pumps. Every pump is constructed specifically for the buyers needs.

The pump shown here is a mediumsized Diesel Fire Pump system. The maximum capacity is 2200 m³/h at 120 mWC. This system is suited for medium sized and large vessels, such as FPSO, FLNG and for semisubs.

TYPICAL APPLICATIONS

RECOMMENDED FOR

FSRU
 Tankers
 FLNG
 VLCC
 LNG
 FPSO

BENEFITS

There is not a single vessel at sea that we cannot equip with an Ellehammer Fire Water Pump.

An IRON Pump solution gives you the security that only a company with a hundred-year history can give you.

All our experience becomes your advantage, you can let our guidance and advice help you, when you are out to find the right solution for your vessel. Contact us for further details.

Telephone +45 44 91 67 88