

Vertical Two-Cylinder, Double Acting Piston Pump

- Excellent suction capability
- Robust and reliable design
- Integrated safety valve
- Self-priming
- Low speed
- Low maintenance costs
- Easy valve access



IRONPUMP

world class water pumps

The robust construction, the reliability and the performance supersede any other pump types of modern design

Applications:

Bilge systems, ballast systems, oil transfer, fire fighting and general services.

Type description:

Vertical two-cylinder, self-priming, double acting piston pump.

Testing:

Test certificates according to ISO 9906-2B. Certificates according to requirements of classification societies. Surface treatment according to customer requirements.

Accessories:

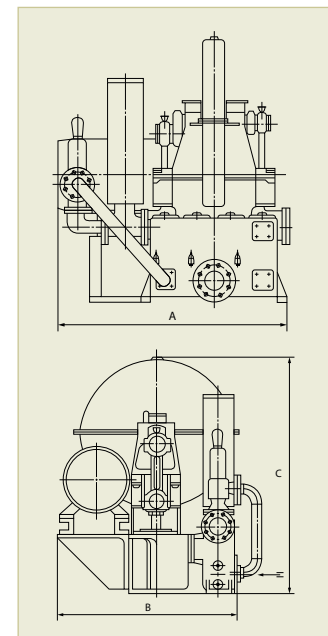
Coupling, bracket for motor, air vessel, relief valve, drain plugs, oil level indicator and snifting valves.

Main Parts	Materials
Pump casing	Cast iron - GJL-250 Nodular cast iron - GJS-400-15 RG10 Bronze - CuSn10Zn Aluminium bronze - C95800
Cylinder liner	RG5 Bronze - CuSn5ZnPb
Pistons	RG5 Bronze - CuSn5ZnPb
Piston rings	Synthetic rubber - NBR
Piston rods	Stainless steel - AISI 329 - EN 1.4460
Valve box	Cast iron - GJL-250 Nodular cast iron - GJS-400-15 RG5 Bronze - CuSn5ZnPb RG10 Bronze - CuSn10Zn Aluminium bronze - C95800
Valves	RG5 Bronze - CuSn5ZnPb
Valve springs and spindels	Stainless steel - AISI 304 - EN 1.4301
Sleeve bearings*	Special bronze alloy

BDV-BDHV dimensions

*On crank shaft, connecting rod and in cross head

Pump Type	Capacity (M ³ /h)	Max head (mLc)	Speed crank	Motor		Ports		Approx. Dimensions			Weight without motor (kg)
				RpM	kW max.	Suct.	Disch.	A	B	C	
BDV-35	25-60	60	70-100	720-1450	7,5	100	90	1090	1110	1380	950
BDV-50	45-75	60	70-100	850-1450	10,0	100	100	1215	1290	1410	1360
BDV-65	65-90	100	70-100	850-1450	11,0	125	100	1270	1355	1450	1350
BDV-75	60-125	80	70-95	950-1450	18,0	150	125	1315	1470	1800	1800
BDV-100	130-175	60	55-92	950-1150	25,0	175	150	1435	1580	1890	2150
BDHV-100	80-170	100	55-90	1150-1750	40,0	175	150	1435	1580	1890	2350
BDV-150	160-250	60	55-73	950-1150	38,0	200	175	1505	1600	2180	2700
BDHV-150	175-245	100	55-73	1450-1750	40,0	200	175	1505	1600	2180	2900
BDHV-250	200-320	100	55-72	950-1450	51,0	200	175	1760	1800	2160	3200



williams.dk 24-08-2016

IRON PUMP A/S has designed, developed and produced pumps for more than 100 years. We supply a wide range of high quality pumps, all able to be individually adapted and customized to meet client demands.

Every pump is assembled and tested at our in-house production and test facility to ensure quality. They can all be delivered with the most common certification regarding use in marine applications, as well as for material-environment- and quality assurance.

IRON Pump A/S
Generatorvej 10
DK - 2860 Søborg

Phone: +45 4491 6788
Mail: iron@ironpump.dk
www.ironpump.com

