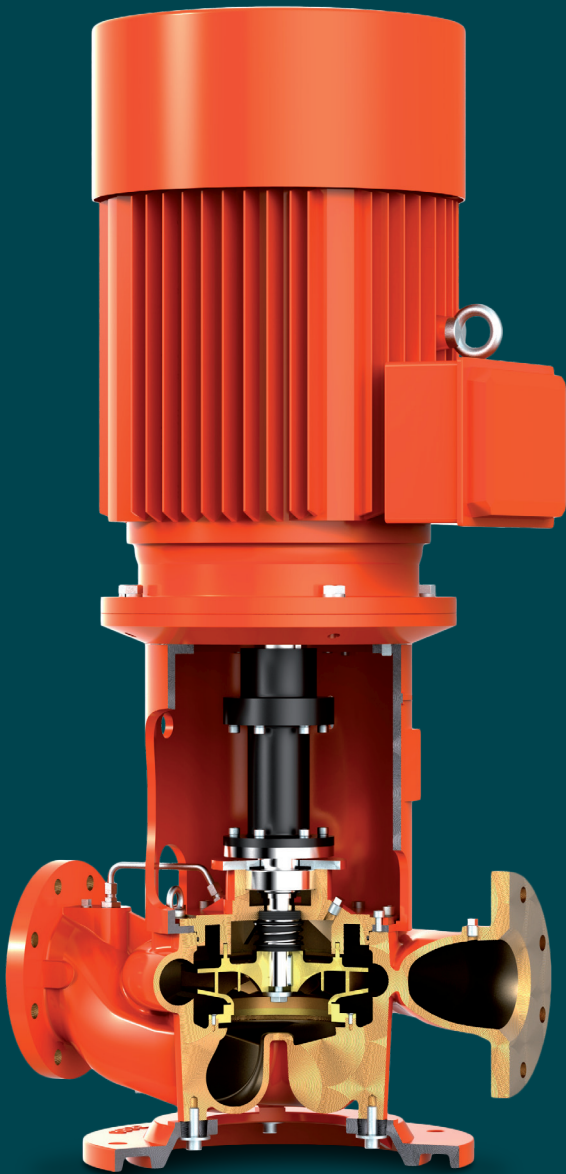


Vertical in-line centrifugal pump



- Compact design offers small build-in dimensions
- Spacer coupling for easy access to wetted parts
- Low water speeds at inlet/outlet reduces risk of cavitations and wear of pump and pipe line
- Low speeds gives a quieter operation
- Pump features a single bearing arrangement between motor and impeller
- Well chosen for medium duty operations

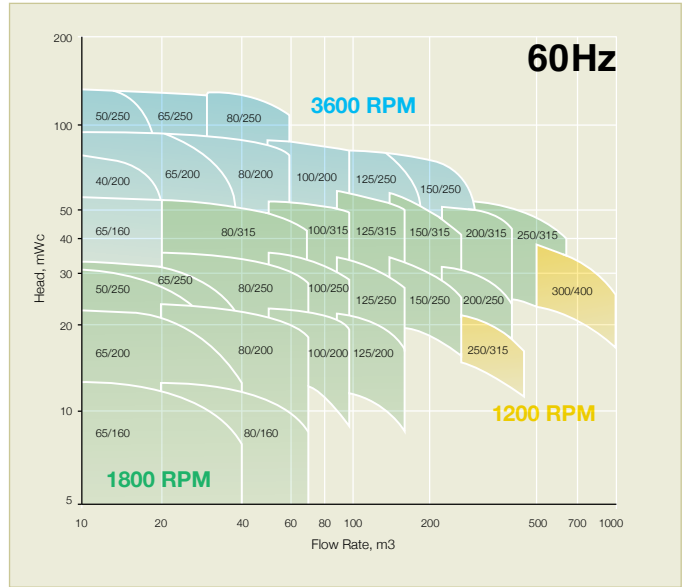
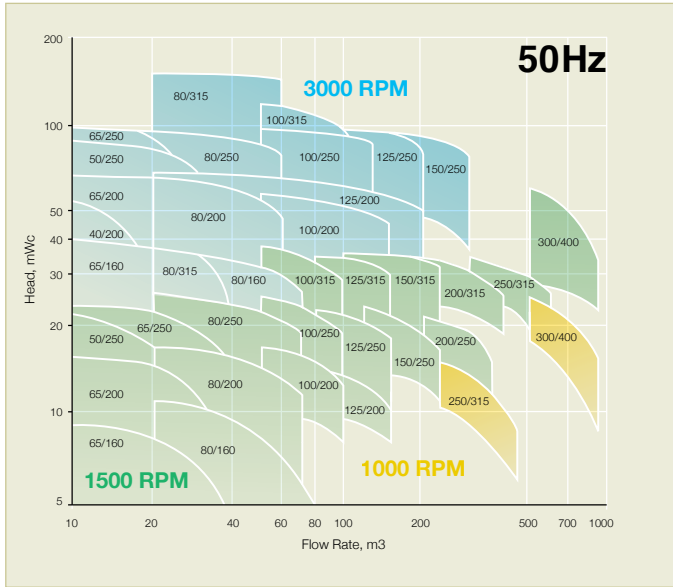
Pumps are extremely important in any ship and, being well aware of this, we at IRON Pump A/S meticulously set focus on pump detail and adjust our products in order to enable many years of problem-free operation. Pumps have been designed, developed and produced at our factory for more than 100 years and are presently supplied globally for new builds, retrofits, replacements and to OEM's. Estimates indicate that the majority of vessels sailing the high seas have at least one or more of our pumps installed on board. Regardless of the pump's age or destination, we guarantee the rapid delivery of spare parts should there arise needs for replacement. Our spare parts department provides a world-wide and world-class service.



IRONPUMP

world class water pumps

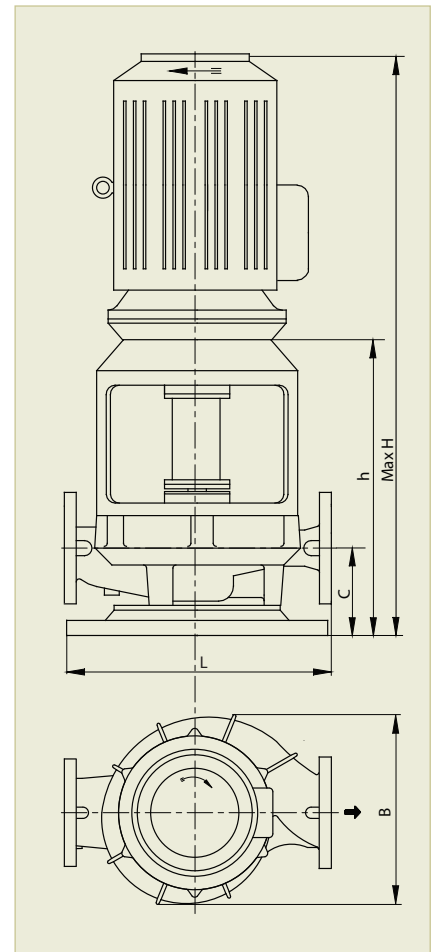
Performance Curve



- Wide selection of designs
- Large range
- Wide selection of materials

DHB dimensions

Pump Size	Main Dimensions, mm					Pump Weight, kg (Exl. motor)
	L	B	Max H	C	h	
40/200	360	275	1180	125	620	75
50/200	400	305	1180	125	620	80
65/200	400	305	1280	125	620	87
80/200	450	325	1170	140	510	91
100/200	500	350	1215	175	555	111
125/200	560	365	1245	205	585	121
50/250	450	375	1185	145	525	135
65/250	450	380	1185	145	525	126
80/250	500	390	1310	160	540	131
100/250	560	405	1330	180	560	134
125/250	560	425	1565	210	670	181
150/250	710	440	1590	235	695	228
200/250	900	515	1635	280	740	232
80/315	560	460	1265	175	635	207
100/315	630	470	1300	180	640	217
125/315	630	470	1365	200	660	224
150/315	710	505	1575	220	680	232
200/315	900	560	1670	315	775	284
250/315	1000	600	1725	335	830	369
200/400	1000	625	2185	280	1030	408
250/400	1120	685	2240	335	1085	451
300/400	1260	785	2510	400	1150	721



80/250 - ø Suction pipe/ø Impeller

IEC Norm motor

williams.dk 8-02-2017

