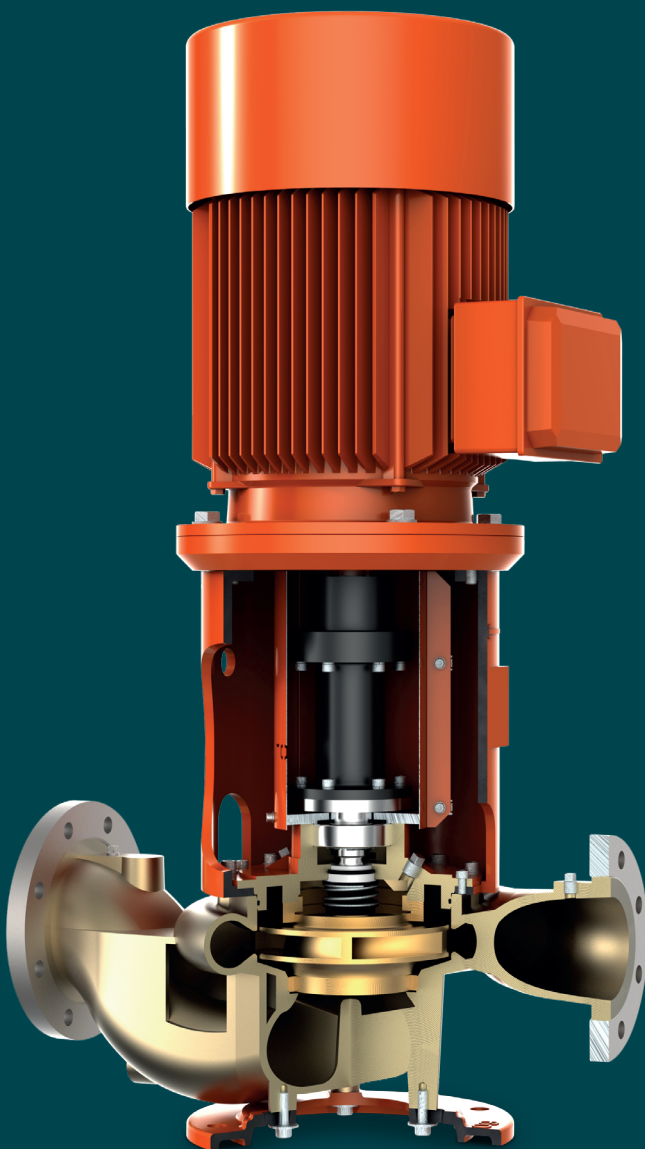


Vertical spacer coupled in-line top pull out pump



- ECO design compliant
- Lightweight
- CE certified/marked
- Stock pump
- Suitable for retrofit

The DHBSe pump is made for easy serviceability aboard vessels, allowing for the rotating element and cover to be removed without removal of pipe connections or drive. Being equipped with a dedicated bearing for axial loads reduces the strain on the electrical motor, allowing this pump type to handle medium duty operations and work at higher speeds.

The DHBSe is based on IRON Pump's DHB series, merging the new ECO design for casing and impeller with a tried and tested pump solution that has been in the market for over 15 years.

An affordable, service friendly, high quality, all purpose pump.



IRONPUMP

world class water pumps

Easy serviceability – Fresh or sea water – High and low temperatures

Application:

For medium duty operation, with fresh or sea water, high and low temperatures.

Type description:

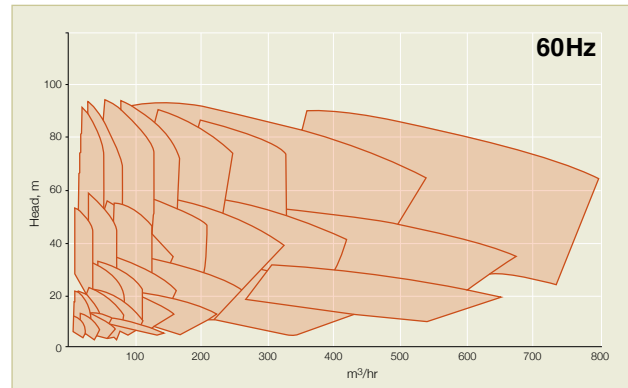
Vertical spacer coupled in-line top pull out pump.

Options:

Pump casing is available in GJL-250 cast iron or RG10 seaworthy bronze. Flanges are available in all industrial standards, ANSI, DIN and JIS.

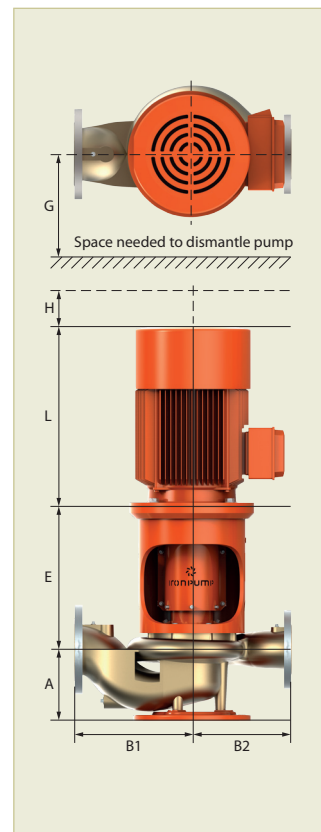
Accessories:

Priming system, pressure- and vacuum gauges, venting device, class approval.



DHBSe dimensions

Pump Size	Pipe Size (mm)		A	B1	B2	E	H	G	Weight without motor (kg)
	Suct:	Disch:							
50-40/160	50	40	123	190	160	366 - 396	90	430	65
65-50/160	65	50	148	230	180	370 - 400	90	430	70
80-65/160	80	65	158	260	200	374 - 404	90	430	75
100-80/160	100	80	183	285	225	379 - 409	90	430	80
125-100/160	125	100	200	315	250	388 - 418	90	430	85
50-40/200	50	40	130	210	190	370 - 400	120	430	120
65-50/200	65	50	145	230	200	373 - 403	120	430	122
80-65/200	80	65	168	260	225	372 - 432	120	430	125
100-80/200	100	80	180	290	250	378 - 438	120	430	131
125-100/200	125	100	205	325	280	371 - 431	120	430	135
150-125/200	150	125	255	380	280	387 - 447	120	520	155
80-65/250	80	65	182	280	250	377 - 407	120	520	125
100-80/250	100	80	204	300	280	383 - 413	120	520	131
125-100/250	125	100	226	340	280	385 - 415	160	520	134
150-125/250	150	125	252	380	355	466 - 496	160	520	181
200-150/250	200	150	309	470	355	468 - 498	160	520	228
250-200/250	250	200	341	530	450	476 - 536	160	520	232
100-80/315	100	80	220	325	315	443 - 503	160	620	200
125-100/315	125	100	239	415	355	447 - 507	160	620	220
150-125/315	150	125	280	465	355	469 - 529	160	620	235
200-150/315	200	150	304	423	400	459 - 519	160	620	240
250-200/315	250	200	341	500	450	473 - 533	160	620	310
200-200/400	200	200	280	500	500	645	170	700	408
250-250/400	250	250	335	560	560	645	170	700	451



williams.dk 24-08-2016

IRON PUMP A/S has designed, developed and produced pumps for more than 100 years. We supply a wide range of high quality pumps, all able to be individually adapted and customized to meet client demands.

Every pump is assembled and tested at our in-house production and test facility to ensure quality. They can all be delivered with the most common certification regarding use in marine applications, as well as for material-environment- and quality assurance.

