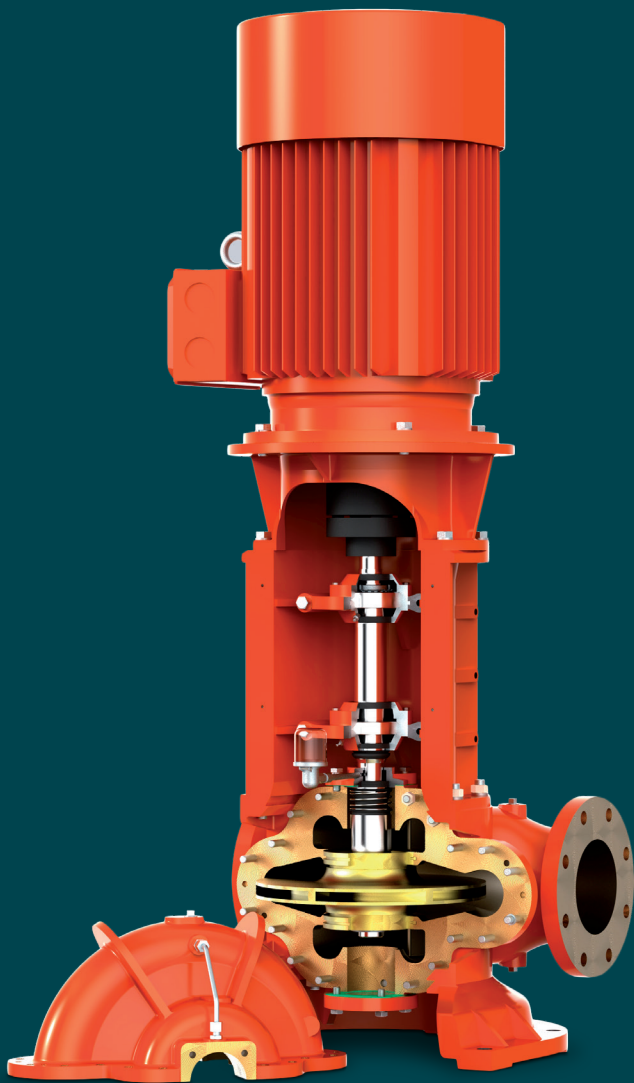


Vertical in-line centrifugal pump



- Vertical inline centrifugal pump
- Overhung bearing construction
- Split case design
- Flexible coupling
- Easy to service
- Stock pump
- Medium duty operation
- High or low temperature operation

The QV series is made for medium duty operation aboard vessels, in industrial applications and in all other areas that demands a durable, versatile, easy to service pump.

The split casing allows for easy service, without disturbing the driver or pipe connection, simply remove the casing top and bearing clamps to get to the entire rotation element.

Like the QVK and QH series the QV can be fitted with a large array of seal types, making it eligible for operating with a high temperature media like DH water or with a low temperature media like brine.

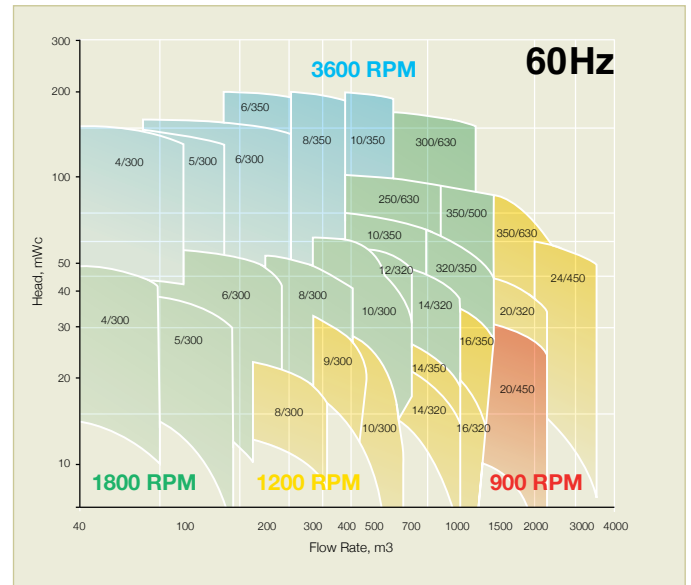
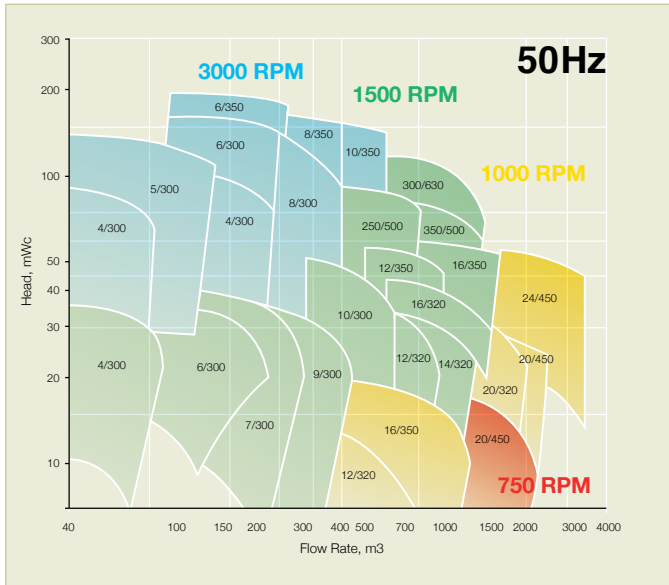
An easy to service, versatile, high quality, all purpose pump.



IRONPUMP

world class water pumps

Performance Curve



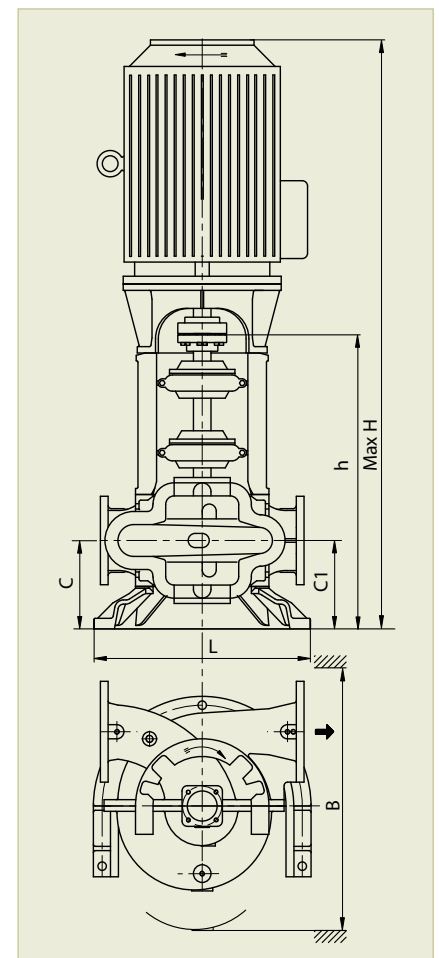
QV dimensions

- Wide selection of designs
- Large range
- Wide selection of materials

Pump Size	Main Dimensions, mm					Pump Weight, kg (Exl. motor)
	L	B	Max H	C	h	
4/300	620	695	2000	250	840	270
5/300	620	740	2000	250	840	275
6/300	620	760	2000	250	840	280
8/300	620	808	2000	250	840	300
10/300	620	935	2000	250	840	345
10/360	620	935	2100	295	935	400
12/360	620	1210	2100	295	935	410
2-4/300	620	745	2010	335/215	845	350
2-5/300	620	745	2010	335/215	845	375
2-5/330	620	905	2125	446/239	960	440
2-6/330	620	925	2125	446/239	960	460
2-6/400	760	950	2450	468/325	1145	600
2-8/350	1000	1130	2460	565/330	1295	830
2-10/350	1000	1130	2460	565/330	1295	830
12/350	1000	1160	2475	400	1310	1020
14/350	1000	1240	2575	450	1410	1270
16/350	1000	1240	2575	450	1410	1300
16/400	760	1230	3260	525	1955	800
18/400	760	1250	3260	525	1955	810
10/320	760	1000	2475	425	1270	470
12/320	760	1020	2475	425	1270	480
14/320	760	1140	2354	465	1150	570
16/320	760	1240	2354	465	1150	580
18/320	1200	1470	2580	730	1375	1020
20/320	1200	1510	2580	730	1375	1070
20/450	1000	1815	2595	555	1390	1860
24/450	1000	1875	2595	555	1390	1880

2-4/300- Number of stages - Ø Suction pipe in inches / Ø Impeller

IEC Norm motor



williams.dk 22-08-2018

